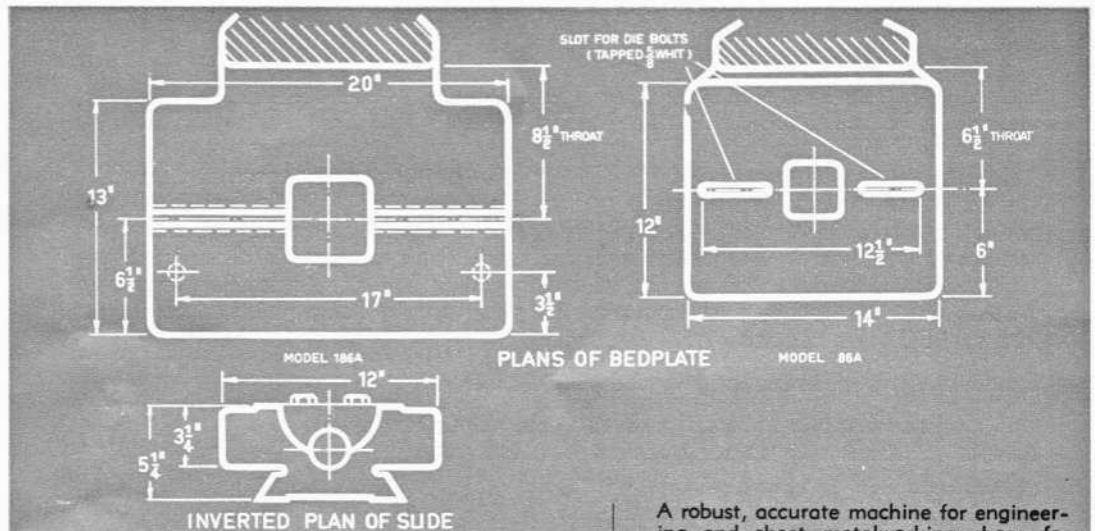


186A TOOLMAKERS DIE TRY-OUT PRESS



86A (Series 2) BENCH SCREW PRESS

BENCH SCREW PRESSES



Model 186A Series 1 designed to give Press Tool and Die Makers an inexpensive precision built press to enable dies to be tested without interrupting production in press shops. ● Large Bed Area and Slide face. ● Removable die clamping cap. ● Single Central Tee slot. ● Robust construction.

Note: Special bolster plates available for shut heights less than 5 1/2 in.

A robust, accurate machine for engineering and sheet metalworking shops for sheet and bar metal jobbing work. Its precision qualities also make it most suitable as a production press for tools within its capacity.

Features a removable die cap for positive clamping of die shanks and to eliminate any chance of damage to the shank as often happens with crew clamping. Suitable for all types of blanking, piercing and forming operations.

SPECIFICATIONS	186A (Series 1)	86A (Series 2)
Maximum working pressure (approx.)	6 tons	6 tons
Die space — maximum	9	6
Bed thickness	5 1/4	7 1/2
Stroke of slide — maximum	3 1/2	3 1/4
Die shank (Dia. x Length) ..	2 x 2 1/4	1 1/2 x 2 1/4
Area of slide Face (R to L x F to B)	12 x 5 1/4	6 1/2 x 4 1/2
Area of Bed (R to L x F to B)	20 x 13	14 x 12
Opening in Bed	4 1/2 sq.	4 1/2 sq.
Centre of Slide to Frame	8 1/2	6 1/2
Overall Height-Stroke up — Metres (m)	1.0	1.0
Weight: Kiloarams (ka)	305	267

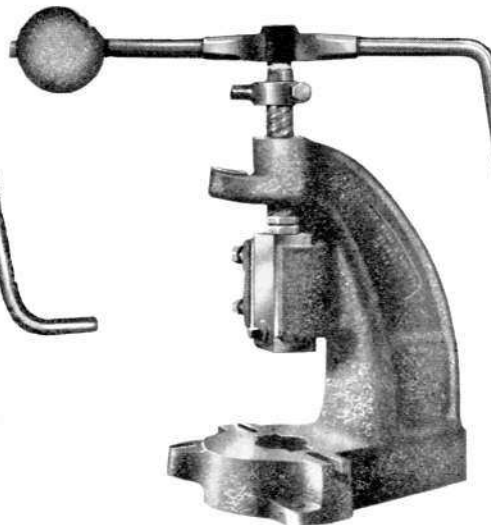


WRITE FOR A FREE COPY OF BULLETIN 651, DIE SETS, DOWELS AND PRESS TOOL ACCESSORIES.

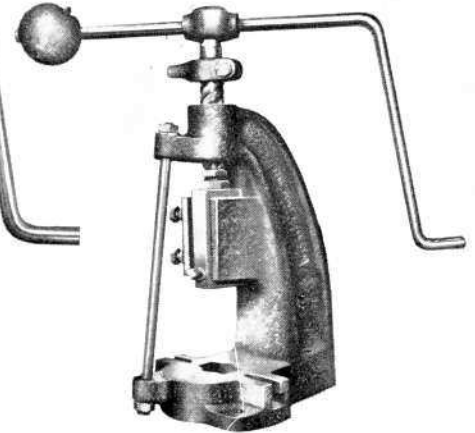
S&S 183A die = 17 kg. (packing = 12 kg.) height. (packing = 4 kg.) height.



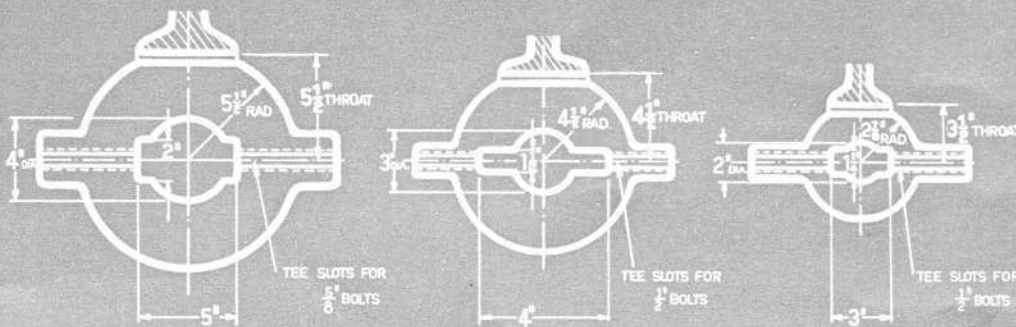
183A



182A



181A



PLANS OF BEDPLATE

MODEL 183A

MODEL 182A

MODEL 181A

These Presses may be used for blanking, piercing, forming and assembly operations. An adjustable stop is provided on the main screw and the solid forged steel handle is readily adjustable to suit the operator's working position. A steel tie bar can be supplied if required (extra).

BENCH SCREW PRESSES

SPECIFICATIONS	183A	182A	181A
Maximum working pressure	5 tons	3 tons	2 tons
Maximum Die Space	7 3/4	7	5 3/4
Bed Thickness	4	3	2 1/2
Stroke of slide	4	3 1/2	2 3/4
Bore in slide for Die shank (Dia. x Length)	1 1/2 x 2 1/4	1 x 1 3/4	1 x 1 3/4
Working Area of Bed Dia. x L to R	11 x 15	9 x 13	7 x 11
Standard opening in bed: Rectangular R to L x F to B Round in centre	5 x 2 4 dia.	4 x 1 1/2 3 dia.	3 x 1 1/4 2 dia.
Centre of slide to frame	5 1/2	4 1/2	3 1/2
Overall Height-Stroke up, Metres (m)	.88	.78	.67
Approximate weight, Kilograms (kg)	190	145	63

